



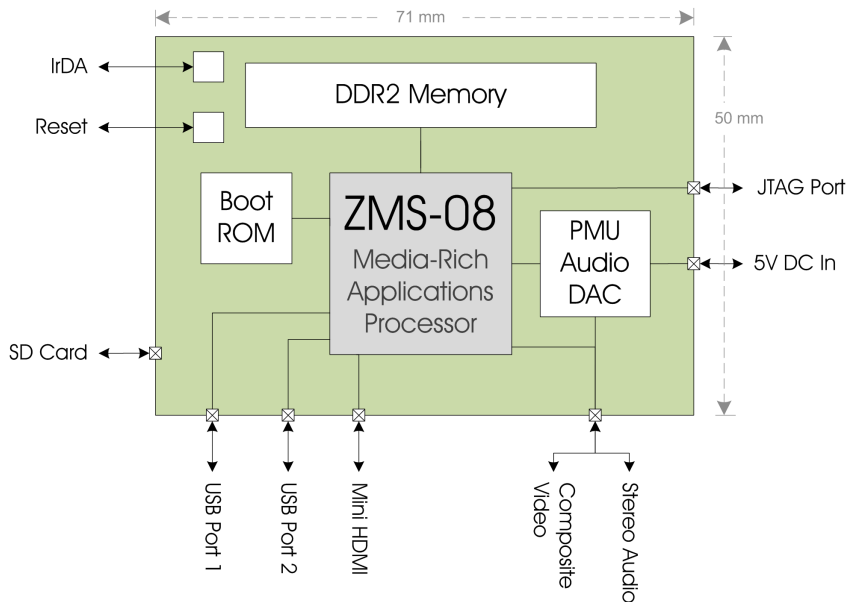
## Zii SiVO PROJECT

### 1080p Blu-ray Quality Media HUB

The Zii SiVO Media-Rich HUB platform enables OEMs and ODMs to quickly and efficiently bring to market easy-to-use products that enable users to enjoy and share their multi-format media content in the living room in stunning 1080p high-definition.

The built-in flexibility of the standard platform enables rapid customization and product differentiation and includes support for the native Linux<sup>®</sup>-based Plazma<sup>™</sup> OS and the Zii optimized Android<sup>™</sup>.

- Proven low-cost reference platform
- Compact, customizable design
- Complete design kit available
- 1080p Blu-ray quality video playback
- OpenGL<sup>®</sup> ES 1.1/2.0 3D graphics
- 720p simultaneous H.264 encode/decode\*
- Flexible media format support
- ZMS-08 Stemcell Computing applications processor
- HDMI 1.3, dual USB 2.0, SD card and IrDA
- Xtreme Fidelity X-Fi<sup>™</sup> audio
- Optimized Linux-based Android<sup>™</sup> and Plazma<sup>™</sup> OS



## Key Features

- Multi-format HD video playback at 1080p
- High-resolution picture viewing
- Enhanced multi-format audio playback
- High-quality video conference at 720p
- High-definition Web 2.0 browsing\*
- Advanced 3D UI and gaming
- Access content from SD or USB devices

## Zii SiVO Hardware Platform

- 512MB DDR2 memory
- HDMI 1.3a mini port
- Firmware Boot ROM
- Dual USB 2.0 type A host ports
- Power Management Unit
- High-quality audio DAC
- External SD/MMC card slot
- 3.5 mm stereo headphone jack
- Composite video (via 4 pole 3.5mm plug)
- Infra Red input
- JTAG debug port
- DC 5V input board supply
- 71 mm x 50 mm x 12 mm

## Android and Plazma OS

Zii optimized Android delivers a richer Android experience that leverages the capabilities of the ZMS-08's StemCell Computing architecture; including seamless OpenGL ES 3D graphics acceleration and high definition video. The Plazma OS enables native Linux based development via a rich set of highly optimized industry standard APIs.

## ZMS-08 Media-Rich Processor

The advanced, highly integrated and low-power ZMS-08 processor delivers the Zii SiVO platforms rich HD experience.

- Blu-ray quality 1080p H.264 video decode
- 1080p H.264 video encode
- 720p H.264 video conferencing
- Accelerated OpenGL ES 1.1/2.0
- Xtreme Fidelity X-Fi audio technology
- Multi format media CODECs
- ARM® Cortex-A8 at 1GHz
- Accelerated graphics and compositing
- Advanced image signal processing
- Rich peripheral integration & connectivity
- Dual digital audio output (I2S/PCM)
- Three SDIO controllers

## Solution Design Kits

The Zii SiVO platform can be supplied to potential manufacturers as a complete design package to take to market as-is or to enable partner customizations.

- Schematics
- Gerbers
- Design Files
- Bill of Materials
- Mechanical drawings
- 3D CAD model
- Assembled PCBs
- Board Support Package
- Operating System, middleware & CODECs

## Flexible Media Processing

The Zii SiVO platforms supports an advanced media framework and a rich portfolio of highly optimized media CODECs, file parsers and streaming protocols including but not limited to:

### Video

- H.264 High-Profile, MPEG-1/2, MPEG-4 (XVid & DivX), WMV9/VC1 (SP/MP), Motion JPEG, H.263

### Image

- JPEG, BMP, PNG, GIF and TIFF

### Audio

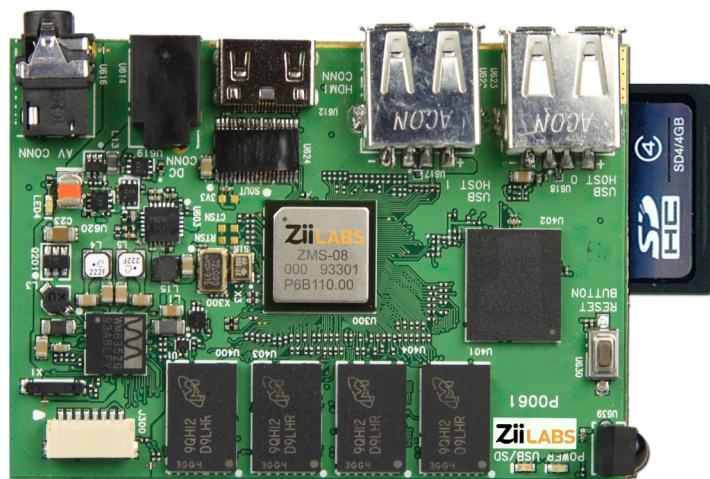
- MP3, WMA8 Std & Lossless, AAC-LC / LTP / HE v1 & 2, WAV, FLAC, ADPCM, MIDI, G726/722/711

### Connected\*

- Full web 2.0 web browser, internet streaming, video conferencing, Adobe Flash Lite® 3.1/Flash Player 10 and AIR

### Flexibility

- The flexibility of the ZMS-08 means that new CODECs, profiles and libraries are always being added to our portfolio. Please check for the latest updates.



To find our more visit: [www.ZiiLABS.com](http://www.ZiiLABS.com)

# ZiiLABS

\* These and other features may require the attachment of USB accessories or customization